

1 2 3 4 5 6 7 8

A

A

B

B

C

C

D

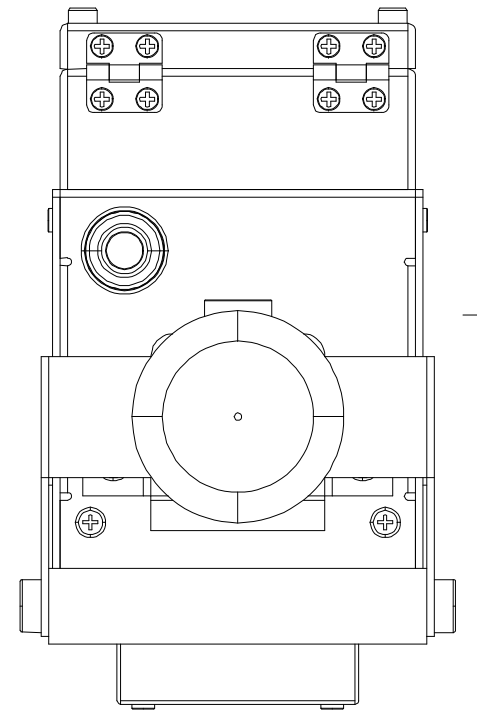
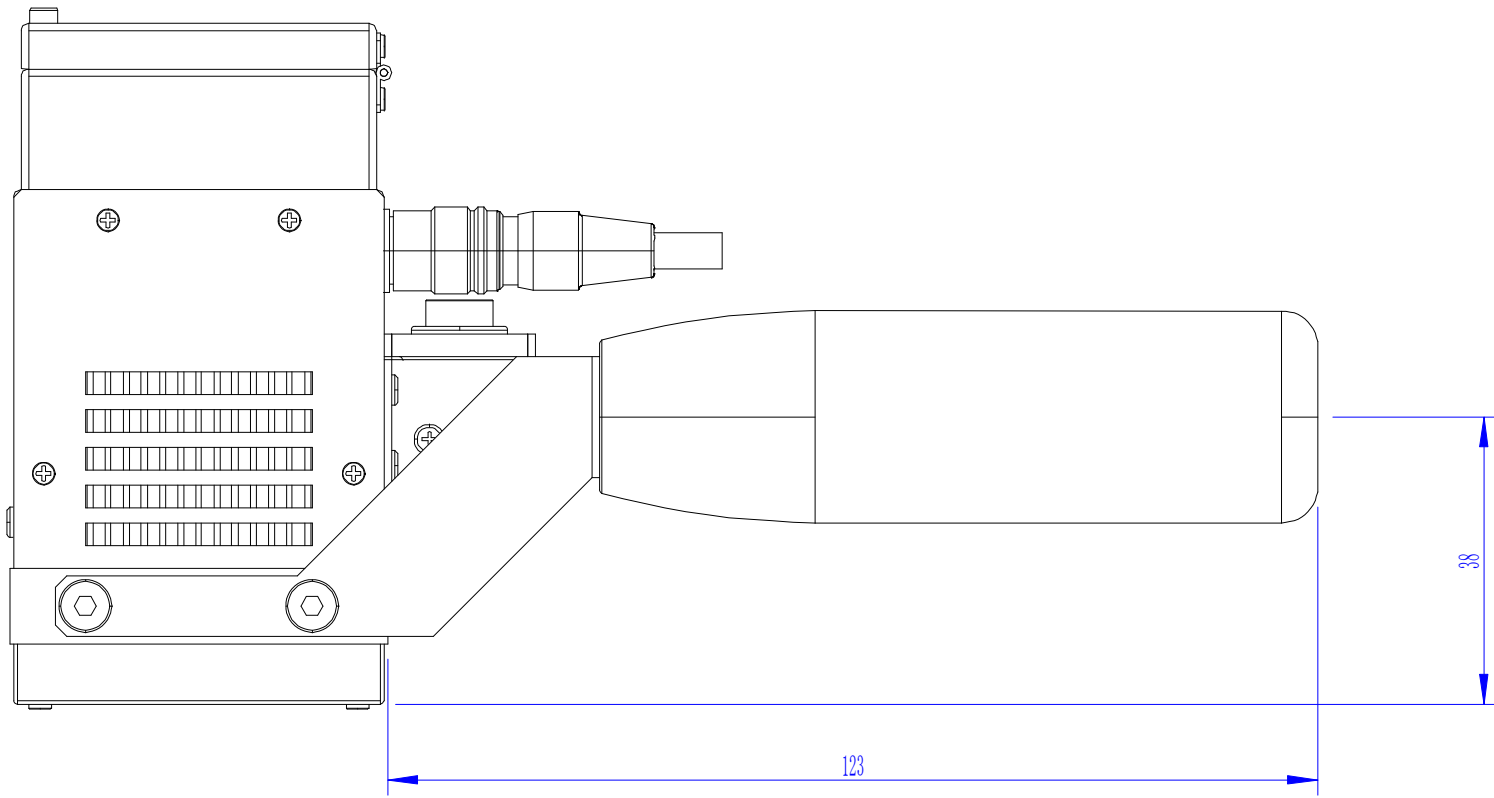
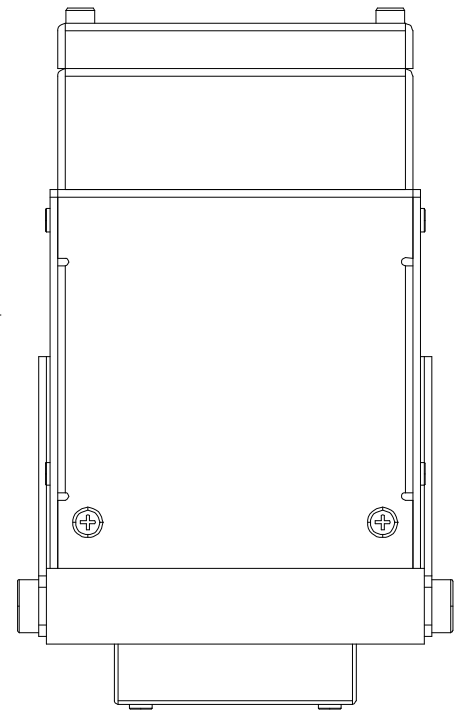
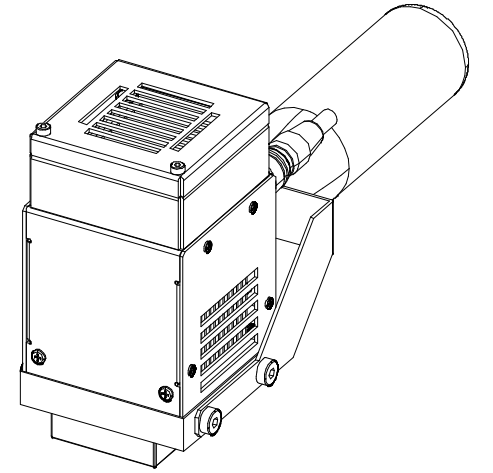
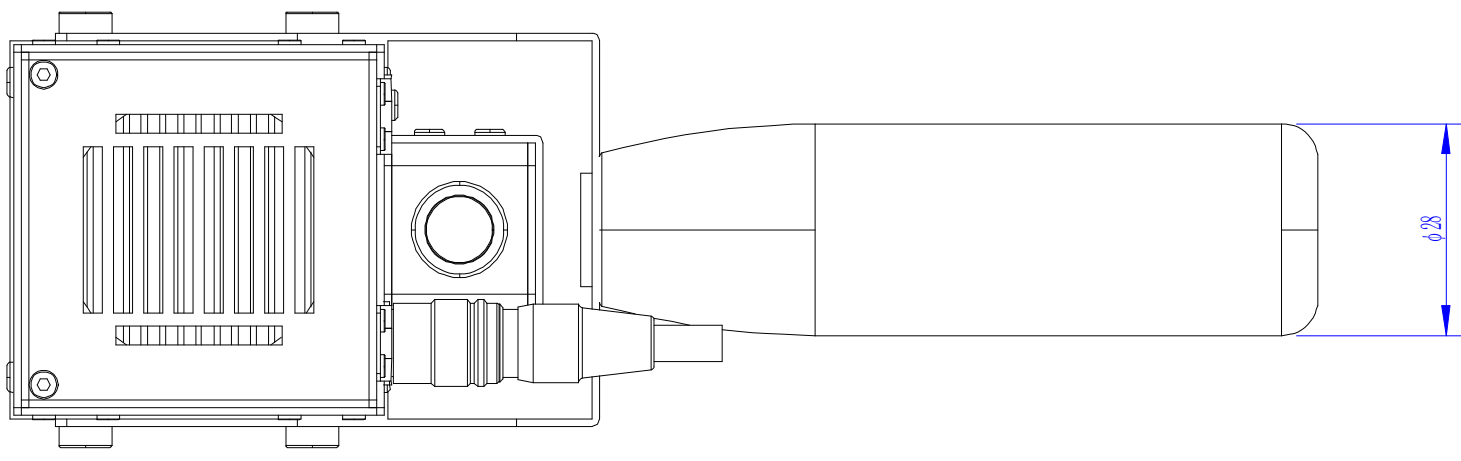
D

E

E

F

F



	SCALE	MATERIAL
	UNIT MM	SURF TREAT
APPROVED	DESIGN	DRAWN
		PART NAME
		CAD FILE NAME
		DRAWING NO.

マイクロ・スクエア株式会社

1 2 3 4 5 6 7 8